

Jumbo Roll-Packer RP 7700-180

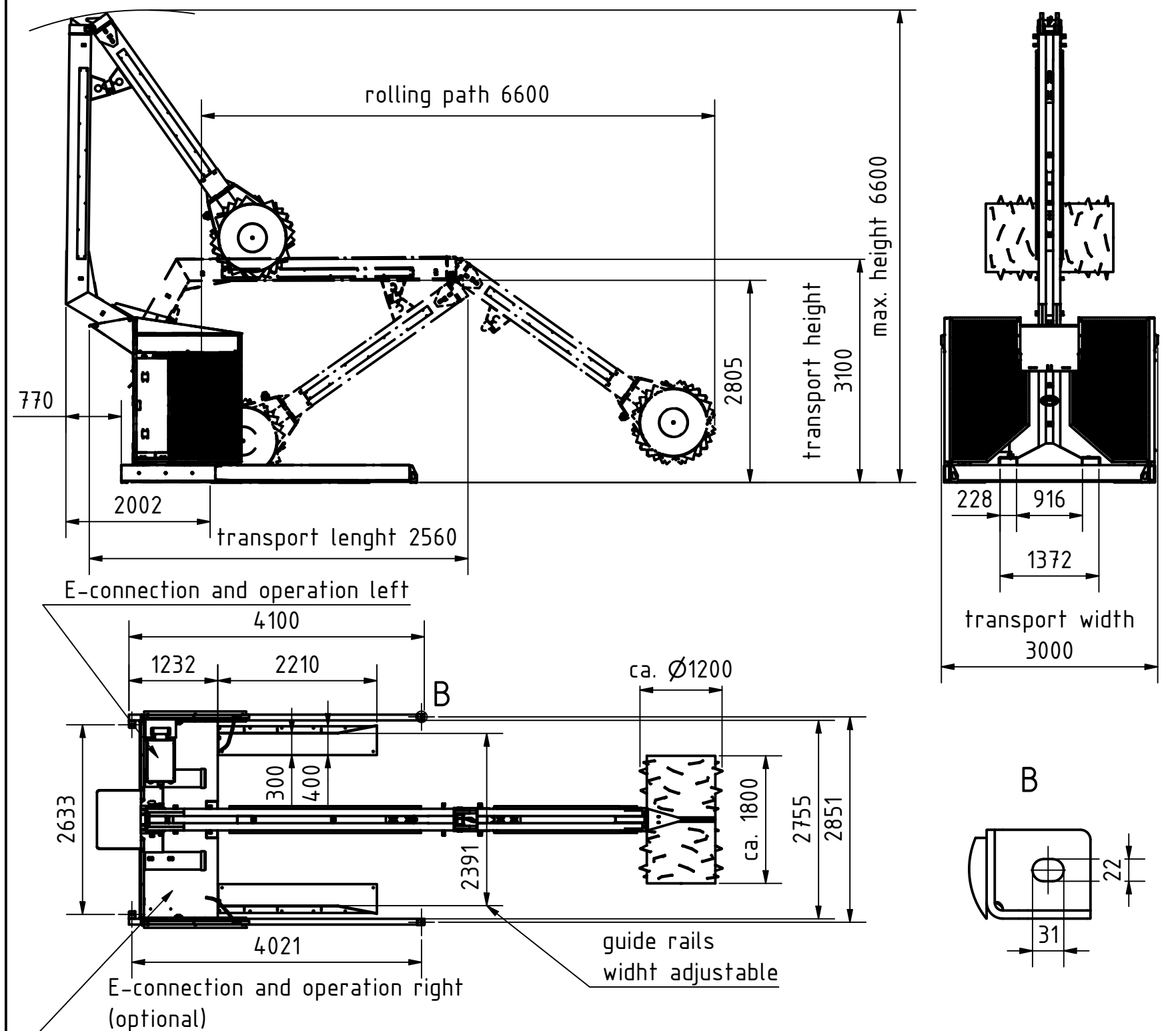
Can be fed continuously, even during compaction.
Compaction in an open roll-off container.
For compacting voluminous, bulky waste.

Technical details:

The continuously fillable roll packer has a specially equipped compaction drum that alternately rolls back and forth. It collects, tears up and compacts the waste in an open roll-off container. The operation and the adjustment of the travelling length is done via the control panel on the left side (view from the rear). The painting can be done in any RAL color according to customer requirements.

Standard equipment:

- * Compaction roller with highly wear-resistant teeth
- * 2K paint in RAL 6018 yellow green (other colors possible as an option)
- * Guide rails adjustable to container roll dimensions.



Technische Daten / Technical data

Alle Maßangaben sind ca.-Werte. Technische Änderungen vorbehalten.
All dimensions are approximate values. Technical changes reserved.

drive power	5,5 kW	dimensions machine (width x depth x height in mm)	3000 x 2002+Container x 6600
electrical connection	400V/50Hz Fuse 25A	roll-off container (minimum-/maximum height in mm)	2500mm (optional 3100mm)
electrical plug	CEE 32A	max. height with the compaction roller raised	6600mm (optional 7050mm)
control voltage	24 V DC	dimensions transport (width x length x height in mm)	3000 x 5260 x 3100
roll speed	ca. 7 U/min	dimensions transport disassembled (width x length x height in mm)	5000 x 2500 x 2450
machine weight	3700 kg	drum Ø / drum width	ca. 1200mm / 1800mm
noise level	69,5 dB(A)	compaction weight	ca. 1600-2000 kg depending on drum type and option
energy consumption Ø	ca. 3,8 kWh		