

Jumbo Roll-Packer RPE 7700-196

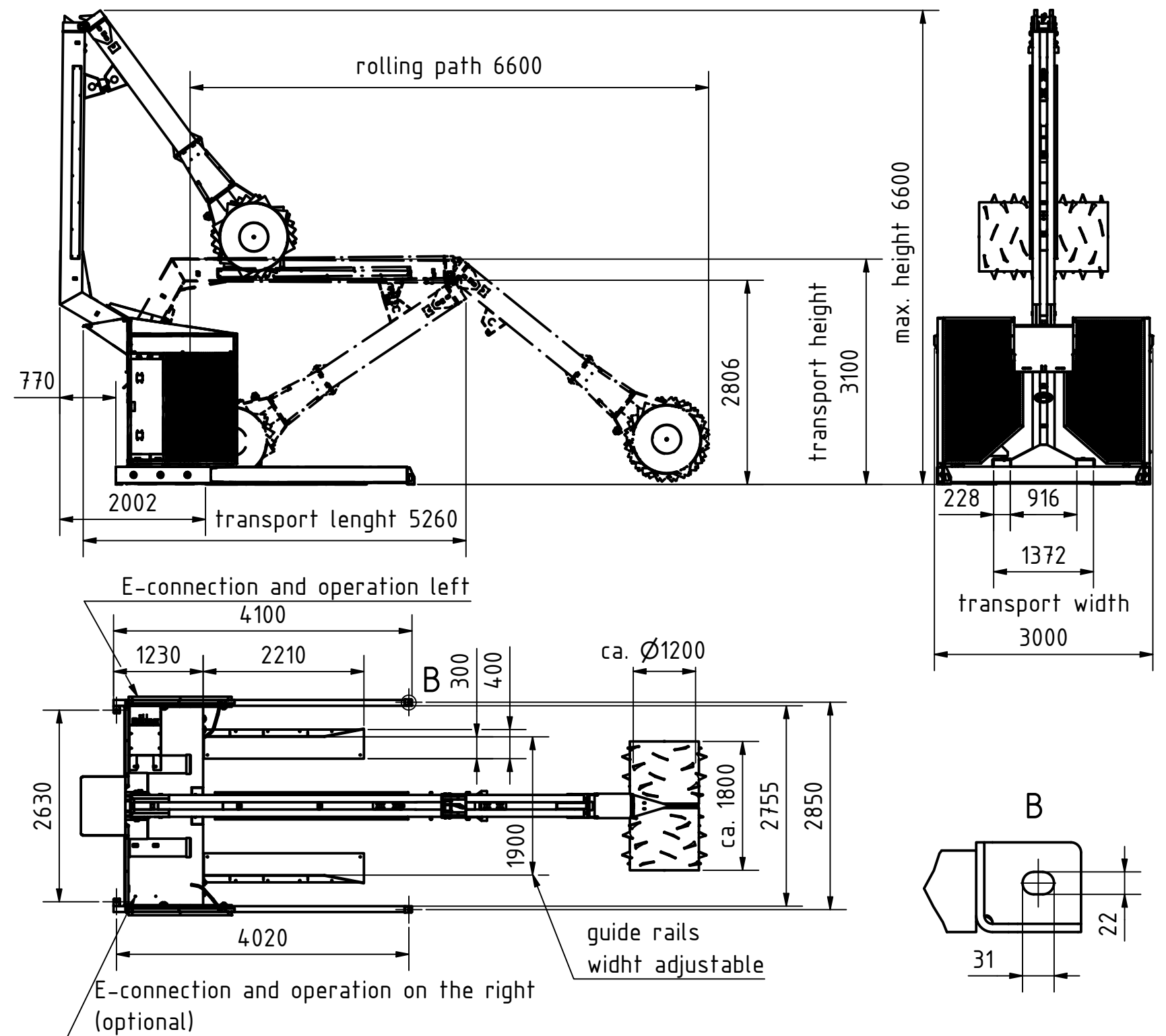
Can be fed continuously, even during compaction.
Compaction in an open roll-off container.
For compacting voluminous, bulky waste.

Technical details:

The continuously fillable roll packer has a specially equipped compaction drum that alternately rolls back and forth. It collects, tears up and compacts the waste in an open roll-off container. The operation and the adjustment of the travelling length is done via the control panel on the left side (view from the rear). The painting can be done in any RAL color according to customer requirements.

Standard equipment:

- * Compaction roller with highly wear-resistant teeth
- * 2K paint in RAL 6018 yellow green (other colors possible as an option)
- * Guide rails adjustable to container roll dimensions.



Technische Daten / Technical data

Alle Maßangaben sind ca.-Werte. Technische Änderungen vorbehalten.
All dimensions are approximate values. Technical changes reserved.

drive power	4 kW	dimensions machine (width x depth x height in mm)	3000 x 2002+container x 6600
excavation power	2,2 kW	roll-off container (minimum-/maximum height in mm)	2500mm (optional 3100mm)
electrical connection	400V/50Hz Fuse25A	max. height with the compaction roller raised	6600mm (optional 7050mm)
electrical plug	CEE 32A	dimensions transport (width x length x height in mm)	3000 x 5260 x 3100
control voltage	24 V DC	dimensions transport disassembled (width x length x height in mm)	2500 x 5000 x 2450
roll speed	ca. 7 U/min	drum Ø / drum width	ca. 1200mm / 1800mm
machine weight	3528 kg	compaction weight	ca. 1600-2000 kg depending on drum type and option
noise level	62 dB(A)		
energy consumption Ø	ca 1,3 kWh		