

B-MAX

FEATURES

Large sliding door

- Automatic opening
- Convenient to use

Starts automatically when door is closed

Automatic or manual start can be selected.

High bale weights

- Save transportation costs
- Reduce CO₂ emissions

Europress SMART technology standard on all Europress models

- 5G
- GPS
- Bale counter
- Program selector, 2 baling programs

Robust construction verified by FEM analysis

Quiet operating noise

Integrated strap cutting blade

B-MAX

 **EUROPRESS®**

NEW VERTICAL BALER WITH 5G AS STANDARD




EUROPRESS
SMART®

 **SMART WASTE MANAGEMENT SOLUTIONS**
europressgroup.com

Europress Group Ltd
Huhtimontie 16
FI-04200 Kerava
+358 20 737 3100
europress@europress.fi

B-MAX

BALE WEIGHT

Cardboard: 250-400 kg
 Plastic: 350-500 kg
 Weights depend on the quality of the material.



SMART FEATURES

5G and GPS
 Bale counter
 Online control



LARGE SLIDING DOOR

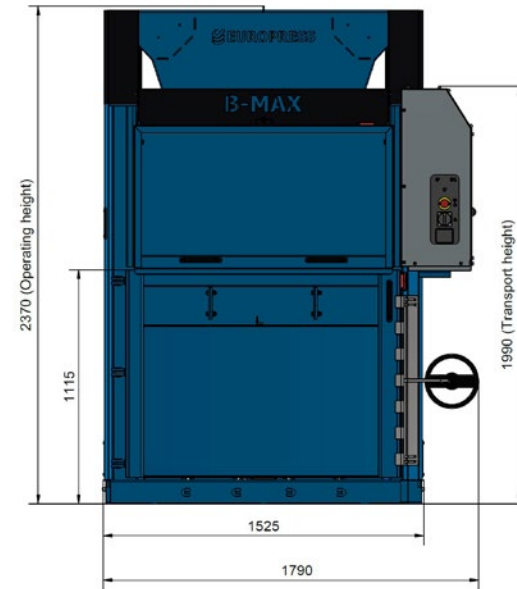


WASTE FRACTIONS

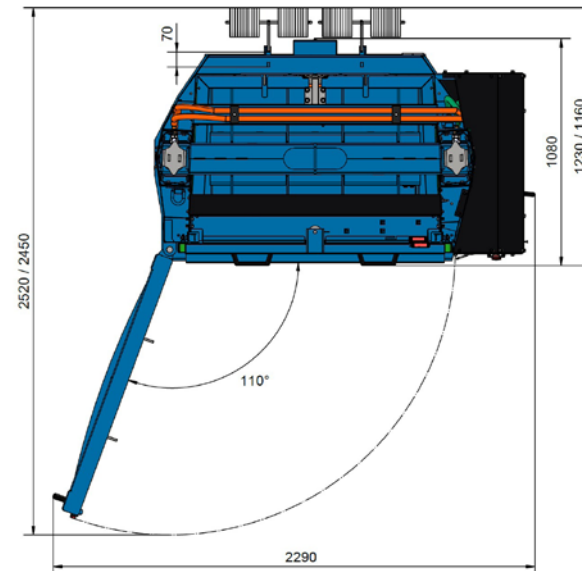
Cardboard
 Plastic



TECHNICAL SPECIFICATIONS



B-MAX	
Press force	26
Dimensions H x W x D (mm)	2 370 x 1 760 x 1 150
Transport height	1990
Infeed opening H x W x D (mm)	515 x 1 200 x 800
Infeed height (mm)	1 115
Weight	1 170
Press cycle time (s)	39
Bale dimensions K x L x S	800 x 1200 x 1000
Bale weight (kg)	250-400
cardboard	350-500
plastic	
Noise level (dBa)	≤ 59
Motor (kW)	4,0
Power supply (50 Hz)	400 V, 3xC16 A
Strap flat (mm)	13
Bale strap hook	Yes
Rolls	4



November 2023